

# SST-37/40-ENH

Articulated/Telescopic Aerial Lift

**WORKING HEIGHT:** Up to 45 ft (13.7 m)

**HORIZONTAL REACH:** 27 ft 9 in (8.5 m)

**PLATFORM CAPACITY:** Up to 450 lbs (204 kg)

**FULL  
PRESSURE  
HYDRAULIC  
CONTROLS**



*SST-37-ENH model shown here.*



**VERSALIFT** is a leading global manufacturer of bucket trucks, digger derricks, cable placers and other specialty equipment for use in the power generation, transmission and distribution, investor-owned utility, telecommunications, bridge inspection, light and sign, and forestry industries. Providing equipment sales, service, training, warranty and financing to government agencies, corporations, contractors, co-ops and municipalities through its global network of facilities and distributors, the company employs more than 900 employees worldwide.

# SST-37/40-ENH



Articulated/Telescopic Aerial Lift

## GENERAL SPECIFICATIONS:

(Based on 40" Frame)

Horizontal Reach	27 ft 9 in (8.5 m)
Standard Platform Capacity	300 lbs (136 kg)
Maximum Platform Capacity	450 lbs (204 kg)
Outer Boom Lift Eye Capacity	500 lbs (227 kg)

## WITH STANDARD PEDESTAL:

Height to Bottom of Platform

SST-37-ENH 37 ft (11.3 m)

SST-40-ENH 40 ft (12.2 m)

Working Height

SST-37-ENH 42 ft (12.8 m)

SST-40-ENH 45 ft (13.7 m)

Stowed Travel Height

10 ft 4 in (3.15 m)

## HYDRAULIC SYSTEM:

Operating Pressure 2250 psi (155 bar)

Flow Rate 3 gpm (11 lpm)

Filtration 10 micron return  
100 mesh suction

System Type Open Center

## BOOM ACTION:

Inner Boom Extension 116 in (2.9 m)

Outer Boom  $-14^{\circ}$  to  $+74^{\circ}$

Lower Boom

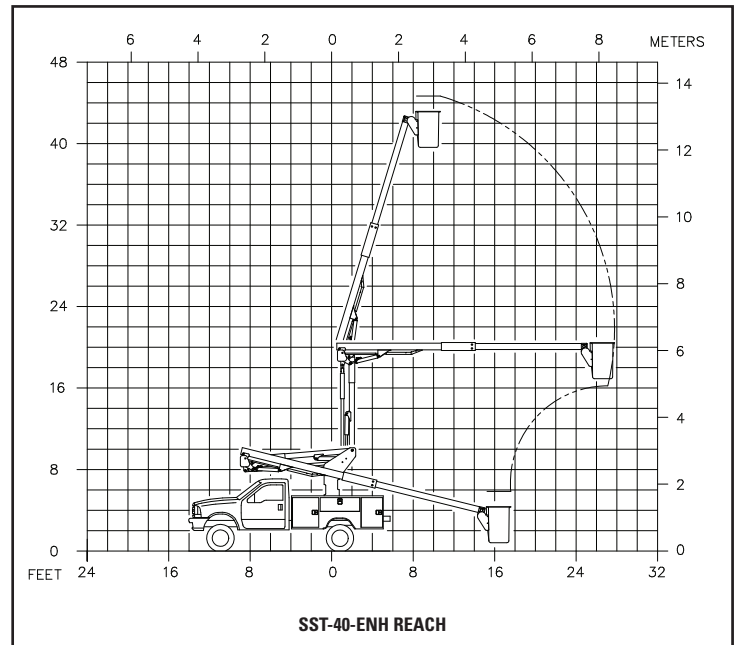
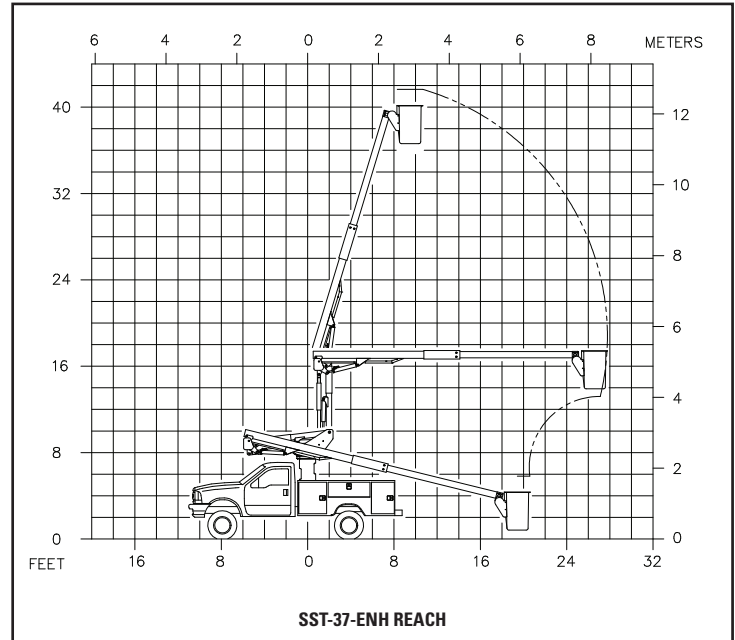
SST-37-ENH  $-7^{\circ}$  to Vertical

SST-40-ENH  $-5^{\circ}$  to Vertical

Rotation  $370^{\circ}$  Non-Continuous

## OPTIONS:

- 4-Axis Control System
- Continuous Rotation
- $180^{\circ}$  Rotating Platform
- Backup 12-Volt Pump
- Hydraulic Tool Circuit at the Platform
- Independent Outriggers
- Two-Speed Control System
- Rear Torsion Bars
- 120 Volt to Platform
- Automatic Boom Latch



Note: Specifications on units may vary or change without prior notifications due to option selections.