

KARGO KING 2PL Roll off System

cTwoSeries

Model **RS-02-08-09**

RENTAL SYSTEM



TAKING SAFETY TO A NEW LEVEL

GROUND LEVEL

KARGO KING
ROLL-OFF SYSTEMS

cTwoSeries

RENTAL SYSTEM

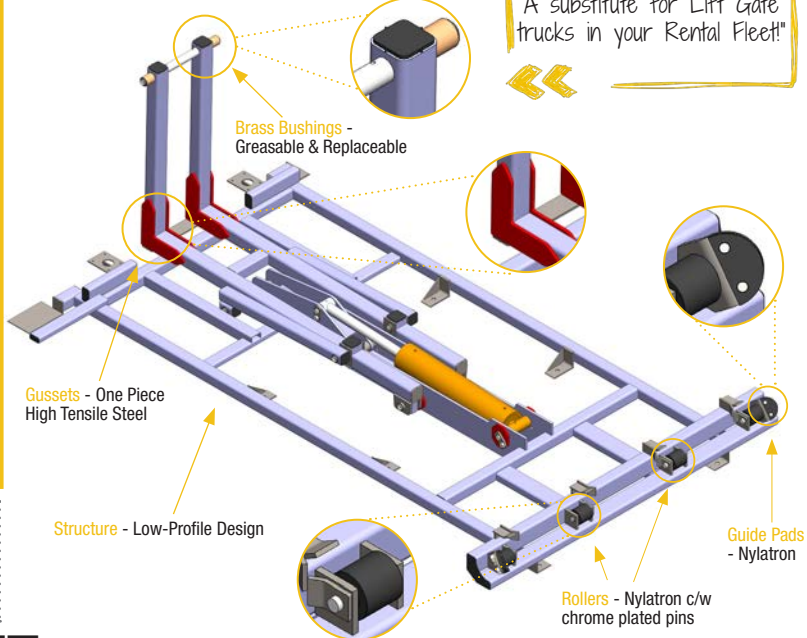
- Designed for 10,000 lbs GVWR Single Rear Wheel Chassis
- Central Hydraulics: Clutch Pump - 5 gpm, 2750 psi
- Sub-frame weight = 700 lbs
- Payload Capacity* = 2,000 lbs

TAKING SAFETY TO A NEW LEVEL. GROUND LEVEL.

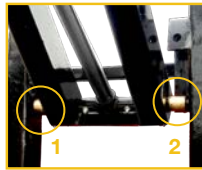


SAFE. **Safe Ground Level Loading**
The shallow angle of the beaver tail allows for easy loading by the operator in just about any weather condition.

SUB-FRAME FEATURES:



SIMPLE.
2PL = 2-Point Latch System
Detach by removing two pins!



EFFICIENT.
The Kargo King Rental System relies on a hydraulic circuit to optimize loading speed of 40 Seconds Cycle Time (approx).



KEY FEATURES

- Safe Ground Level Loading for City Deliveries
- Compact
- Fast Cycle Time
- Low Center of Gravity
- 2 Point Latch System
- 2000lb Payload Capacity*
- Powered by Central Hydraulics
- Single Lever Manual Control

STANDARD FEATURES

- Custom Aluminum Diamond Plate Bumper with Hitch, Lighting and 7-way Trailer Plug
- Aluminum Diamond Plate Fenders
- 16' LED Warning Light and Stand
- Easily Maintained with few Grease Points

DECK FEATURES

- Deck Dimensions: 108in (L) x 84in (W)
- Load Transport Beaver tails
 - 8° Low Approach for Equipment with Low Clearance
- Multiple Tie-Downs, Chain Tray
- Hitch Insert Storage
- Racking to Secure Propane Tanks
- 4 Placard Holders
- Steel Checker Plate Floor

*Dependant on truck configuration selected.

