

CUSTOMER / **Downey Ford Sales Ltd**

QUOTE # / **DARQTE000804**

ADDRESS / 35 Consumers Drive, Saint John, NB E2J 4Z7

QUOTE DATE / June 20, 2024

EMAIL /

PHONE NUMBER / -

VALID FOR / 30 Days

/ TRUCK BODY& EQUIPMENT UPFITTING

EQUIPMENT SPECS /



VERSALIFT - Model VANTEL29NE

Non-insulated end mounted 29 ft. 9 in. telescopic aerial platform lift, including the following items:
 Increased platform capacity of 300 lbs
 Upper electric controls, platform interior mounted , including master control and emergency stop
 Remote hand-held electric lower controls including 30 ft. cable and override
 Engine stop/start control at platform and lower controls
 Non-continuous 360 degree rotation with electric limit system
 Two gpm open center hydraulic system
 Heavy duty aluminum inner boom
 Boom articulation from 8 degree below horizontal to 80 degree above horizontal
 Multi-link hose carrier system through booms
 Non-lube bearings used at all pivot points
 Integral hydraulic oil reservoir with dual sight glasses and 7 gallon capacity
 Hydraulic leveled walk-in 24" x 24" x 42" platform with L/H hinged door on curbside
 GFCI receptacle for 120 v power at platform
 Emergency power 12 VDC hydraulic system

CHASSIS SPECS /

Year / **2024**

Make / **Ford**

Model / **T350**

Specs / **9500 GVWR, 148" wheelbase RWD**

Low Roof Cargo Van

UPFITTING SPECS /

Manual 180 degree platform positioner
 Drop down boom tip, Rubber tube bucket rest,
 Boom cradle and ratchet type tie down strap, Two operators manuals and two service manuals, ANSI A92.2 data plate

Upfitting Includes:

Partition w/ PDK1 door kit
 Partition Wing Kit f/ Ford
 Single extension ladder rack
 Data desk
 Steel adjustable shelf - 44"w x 46"h x 14"d (3)
 Rail kit for shelf units
 Bolt in dividers for shelf units(36)
 Harper-Deweze underhood pump assy.
 Hydraulic hose and fittings f/ boom



*Images are for demonstrative purpose only.

/ PRICING /

SUBTOTAL /

FREIGHT /

TAXES /

TOTAL / **\$ 0.00**

FOB / Dartmouth

SIGNATURE

DATE

TERMS / Net 30 day c/w signed sales agreement

CUSTOMER / **Downey Ford Sales Ltd**

QUOTE # / **DARQTE000804**

ADDRESS / 35 Consumers Drive, Saint John, NB E2J 4Z7

QUOTE DATE / June 20, 2024

EMAIL /

PHONE NUMBER / -

VALID FOR / 30 Days

/ TRUCK BODY& EQUIPMENT UPFITTING SPECIFICATIONS CONTINUED /

ADDITIONAL NOTES /

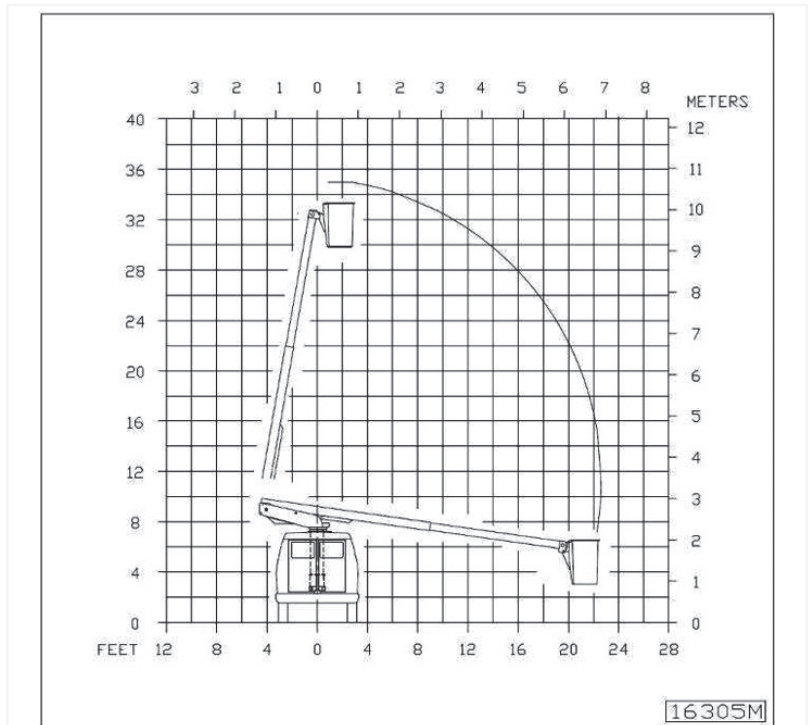
- Hydraulic J13 oil - litre
- Super Springs
- Hour meter for boom
- Electrical hardware
- Bucket Cover
- Grote 16" LED Beacon Lights
- Aluminum Mount for beacon light
- Nightray Hood Mounted w remote control
- Sight Level w/5degree micro indicator
- Wheelchock
- 1750 Watt Power Inverter
- Painting supplies
- Assorted Hardware for add ons

*TERRITORY MANAGER

David Webster
Dwebster@driveproducts.com
M. 902-403-2562

Chassis in stock.
Firm 15 days
Delivery approx 12 weeks

Load Chart



Vantel 29 NE Spec Sheet

GENERAL SPECIFICATIONS	VANTEL-29-NE
Horizontal Reach	22 ft. 7 in. (6.88m)
Standard Platform Capacity	300 lbs. (136kg)
Outer Boom Travel	-8° to +80°
Inner Boom Extension	116 in. (2.95m)
Height to Bottom of Platform	29 ft. 10 in. (9.09m)
Working Height	34 ft. 10 in. (10.6m)
Stowed Travel Height	9'-9" (2.97m)
Weight of Lift W/ Mounting Hardware	1530 lbs. (694 kg)
Operating Pressure	2250 PSI (158 KG/CM²)
Flow Rate	2 GPM (8 lpm)
Filtration	10 micron return/ 100 mesh suction
System Type	Open Center



/ PRICING /

SUBTOTAL /

FREIGHT /

TAXES /

TOTAL / **\$ 0.00**

FOB / Dartmouth

TERMS / Net 30 day c/w signed sales agreement

*Images are for demonstrative purpose only.